

DONJOY looking forward to your visit! Your telecommunications!



东正科技有限公司
DONJOY TECHNOLOGY CO.,LTD.

地址: 温州空港新区港富路25号
总机: 0577-86990888
传真: 0577-86998000

Add: No.25 Gang fu Road, konggang
new District, Longwan Wenzhou, China
Tel: +86-577-86990888
Fax: +86-577-86998000
E-mail: donjoy@cndonjoy.com

www.cndonjoy.com

法律声明:
目录样册版权归东正所有, 如有抄袭, 必将追究其法律责任和经济赔偿。
东正已获得国家版权局书刊号。东正诸多产品技术, 都具有专利保护, 如有抄袭,
必将追究法律责任和经济赔偿。

Legal statement:
Copyright of the catalogue belongs to Donjoy. If there is plagiarism,
it will be investigated for legal responsibility and economic compensation.
Donjoy has been granted publications number by China's National Copyright.
Donjoy products and technology with patent protection,
If there is plagiarism, it will be investigated for legal responsibility
and economic compensation.

Mixproof valve

06 / 防混阀 智能制造



国家高新技术企业 专精特新企业

Advantages



30 YEARS

30年的阀门研发与制造
More than 30 years valve and pump R&d and Manufacturing

23 YEARS

23年的高洁净泵研发与制造
More than 23 years high purity pump R&d and Manufacturing

18 YEARS

18年的阀门控制器研发与制造
More than 18 years valve controller R&d and Manufacturing

15 YEARS

15年的清洗技术研发与制造
More than 15 years Cleaning technology R&d and Manufacturing

300

300多人的专业团队
A profession team of over 300 people

200

200多项知识产权
More than 200 intellectual property rights

30

30多项国际权威认证
More than 30 international authoritative certifications

20

20多项国家与省级荣誉
More than 20 national and provincial honors certificates

超过10年研发经验
工程师队伍
We have more than 10 years experienced engineer team in R & D.

日本Mazak
CNC复合型加工中心
CNC切削中心
CNC车床
Japan Mazak
CNC compound machining center
CNC cutting center
CNC lathe

发那科《Fanuc》
全自动机器人生产线
《Fanuc》 Automatic robot
production line

高新技术企业、
省著名商标、
主任质量奖、4项发明、
200余项专利
New high-tech enterprise.
Provincial famous trademark.
Director's Quality Award.4 inventions
More than 200 patents

欧盟CE
美国3-A, FDA
中国特种制造许可证 TS
防爆认证ATEX CNEX
European Union CE certificate
USA 3-A, FDA
China Special Manufacturing
License TS
ATEX CNEX

我们能为你提供
定制化技术服务和制造,
OEM ODM
We can provide
you OEM & ODM service

领先的检测手段,
30多台专业检测设备和
50多种检测方法, 确保
每个产品性能和精度
Advanced detection method.
More than 30 pcs professional
testing equipment. More than
50 inspection ways, insure product
performance and accuracy

30 YEARS

30年洁净领域的专注
30 years of focus in the field of cleanliness

30 YEARS

30年工程应用经验与市场考验
30 years of engineering application experience and market test

三十而立正蕴含着新的力量，
未来我们将一如既往的致力于技术革新！
We Donjoy have established for 30 years, still full of
new energy, in the future we will stick to concentrate on
technology innovation

Introduction

东正创立于1993年，占地面积29000m²，注册资本1.0558亿元，员工300余人，技术团队30余人，200余项知识产权，国际权威认证30余项，国家与省级荣誉证书20余项，且拥有国际领先的加工技术和制造设备，如Mazak CNC四轴、五轴加工中心、复合型切削中心、FANUC机器人生产线以及各种国际领先的检测设备。

东正制造的产品远销全球并获得国内外用户高度好评，我们产品和技术涵盖高洁净泵、阀门控制技术、PID自控阀门、高洁净阀门、容器管道安全控制技术、容器清洗技术、容器管道照明技术、过滤技术以及高洁净管道和配件等。广泛应用于生物制药、食品饮料、酿酒、精细化工、日化洗涤、纺织印染、电池和新能源等工业领域。

Donjoy is founded in 1993, covers an area of 29,000 square meters, registered capital of 105.58 million yuan, we have more than 300 employees, we have more than 30 persons technical team, we have more than 200 intellectual property rights, we have more than 30 authoritative international certification, we have more than 20 national and provincial certifications, and has an international leader of first processing technology and manufacturing equipment, such as Mazak CNC four axis, five axis machining center, compound cutting center, FANUC robot production line and various international collar first detection equipment, etc.

The products manufactured by Donjoy are sold all over the world and are highly praised by domestic and overseas. Products and technology cover high purity pump, valve control technology, PID automatic control valve, high purity valve, container pipeline safety control technology, container cleaning technology, container pipe road lighting technology, filtration technology and high purity pipes and accessories. Widely used in the biopharmaceuticals, food and beverage, wine, fine chemicals, daily chemical washing, textile printing and dyeing, battery and new energy and other industrial fields.



防混阀 Mixproof valve

FHF- ISC type



防混双座阀是一款可在线原位CIP清洗、SIP杀菌、泄漏可发现、双层密封保护、防止介质被污染的风险等技术特点的一款阀门，且具有非常灵活的阀体组合和功能配置如阀门控制单元、反馈器、位置传感器等。该阀门的设计完全基于美国3-A-85-03高洁净要求设计。

The anti-mixing double seat valve is a valve with technical characteristics such as online in-situ CIP cleaning, SIP sterilization, leakage detection, double-layer sealing protection, and prevention of the risk of medium contamination. It also has a very flexible valve body combination and Functional configuration such as valve control unit, feedback device, position sensor, etc. The design of the valve is completely based on the high cleanliness requirements of the United States 3-A-85-03 design.



技术特点

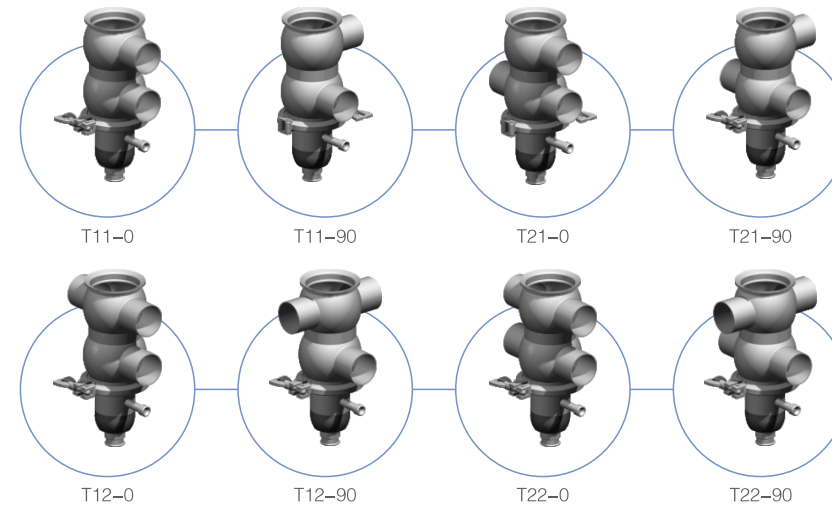
- 规格：1.5"-6"，DN40-DN150
- 材质：316L/1.4404, ASME BPE 316L 1.4435 NB2 Fe≤0.5%
- 压力：真空~10bar(1.0 MPa)
- 温度：-20℃ 到 +150℃，取决于密封于材质
- 密封：EPDM FKM HNBR
- 连接标准：DIN SMS ISO IDF RJT BS4825 ASME BPE 3A DIN11864 DIN11853
- 连接方式：螺纹、卡箍、焊接、法兰
- 驱动方式：气动
- 光洁度：Ra≤0.6 μm；MP=Ra≤0.3 μm；EP=Ra≤0.3 μm
- 认证：FDA 177.2600；3A-85-03；Glass II USP Glass VI Chapter 88；GB4806.11；EG VO/1935-2004；PED/97/23/EC。

Technical Features

- Specifications: 1.5"-6", DN40-DN150
- Material: 316L/1.4404, ASME BPE 316L 1.4435 NB2 Fe≤0.5%
- Pressure: vacuum to 10bar (1.0 MPa)
- Temperature: -20°C to +150°C, Depending on the seal material
- Sealing: EPDM FKM HNBR
- Connection standard: DIN SMS ISO IDF RJT BS4825 ASME BPE 3A DIN11864 DIN11853
- Connection method: Thread, clamp, welding, flange
- Drive mode: pneumatic
- Finish: Ra≤0.6 μm；MP=Ra≤0.3 μm；EP=Ra≤0.3 μm
- Certification: FDA 177.2600；3A-85-03；Glass II USP Glass VI Chapter 88；GB4806.11；EG VO/1935-2004；PED/97/23/EC。

非常灵活的阀体组合和连接方式 Very Flexible Valve Body Combination And Connection Method

整体式阀体组合 Integral valve body combination



整体阀体组合:

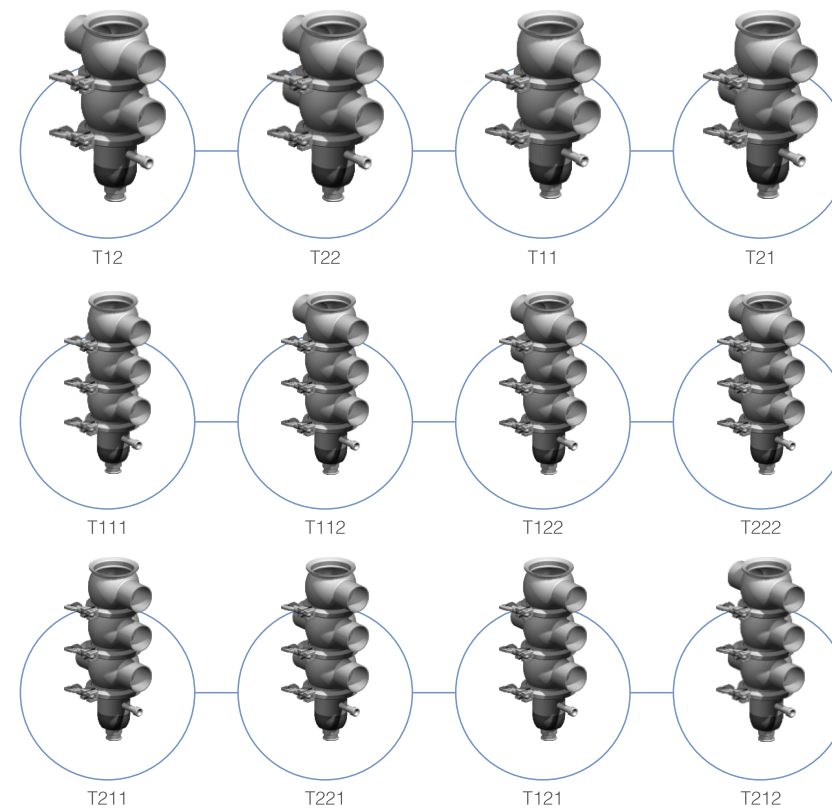
整体式阀体组合，优势在于更少的O型圈，更少的可能存在死角。缺点必须确定阀体进出口的方向和角度，阀体角度不可调整。

Overall valve body combination: The integral valve body combination has the advantage of fewer O-rings and fewer dead ends. Disadvantages: The direction and angle of the inlet and outlet of the valve body must be determined, and the angle of the valve

卡箍式阀体组合:

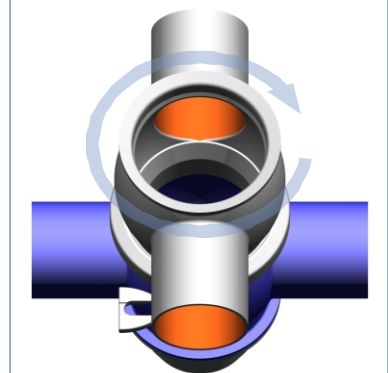
卡箍式阀体组合，优势在于相比较整体式阀体具有更加灵活的阀体组合角度可任意调整(360°)。缺点在于更多O型圈，可能存在更多的死角。

卡箍式阀体组合 Clamp type valve body combination



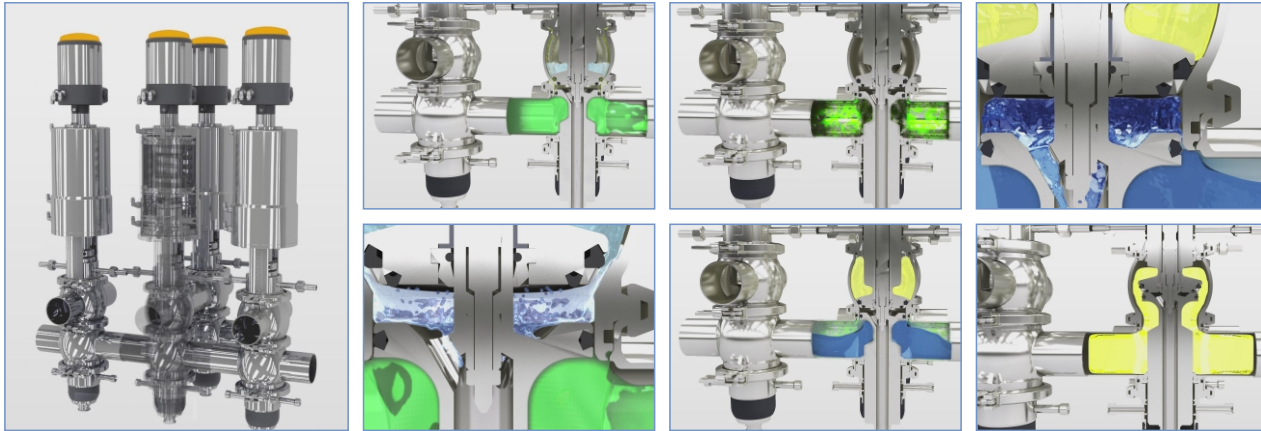
Clamp valve body combination: The clamp-type valve body combination has the advantage that compared with the integral valve body, it has a more flexible valve body combination angle that can be adjusted arbitrarily (360°). The disadvantage is that more O-rings may have more

阀体之间360°任意旋转角度
360° arbitrary rotation angle between valve bodies



防混阀 Mixproof valve

工作原理图 Working principle diagram



防混阀可应用在阀门阵列系统上，因该阀门具有可在线原位CIP清洗、杀菌、自排空、无死角、无滞留等技术特点，并且具有非常灵活的配置如位置反馈器、阀门控制单元、位置传感器等自控系统。

Many anti-mixing valves are used in valve array systems, because the valve has the technical characteristics of online in-situ CIP cleaning, sterilization, self-draining, no dead ends, no retention, etc., and has very flexible configurations such as position feedback devices and valves Automatic control systems such as control units and position sensors.

FHF-GD type

防混罐底阀 Mix-proof tank bottom valve

防混罐底阀，是一款高洁净、可在线清洗、杀菌于一体的防混式罐底阀。

The anti-mixing tank bottom valve is a high-cleanliness, online cleaning and sterilization integrated anti-mixing tank bottom valve.

双层密封保护、泄漏可发现、自排泄，防止介质混合污染。

Double seal protection, leakage can be found, self-draining, prevent media mixed contamination.

技术特点

- 规格：1.5"-6"，DN40-DN150
- 材质：316L/1.4404，ASME BPE 316L 1.4435 NB2 Fe≤0.5%
- 压力：真空-10bar(1.0 MPa)
- 温度：-20°C 到 +150°C，取决于密封于材质
- 密封：EPDM FKM HNBR
- 连接标准：DIN SMS ISO IDF RJT BS4825 ASME BPE 3A DIN11864 DIN11853
- 连接方式：螺纹、卡箍、焊接、法兰
- 驱动方式：气动
- 光洁度：Ra≤0.6 μm；MP=Ra≤0.3 μm；EP=Ra≤0.3 μm
- 认证：FDA 177.2600；3A-85-03；Glass II USP Glass VI Chapter 88；GB4806.11；EG VO/1935-2004；PED/97/23/EC。

Technical Features

- Specifications: 1.5"-6", DN40-DN150
- Material: 316L/1.4404, ASME BPE 316L 1.4435 NB2 Fe≤0.5%
- Pressure: vacuum to 10bar (1.0 MPa)
- Temperature: -20°C to +150°C, Depending on the seal material
- Sealing: EPDM FKM HNBR
- Connection standard: DIN SMS ISO IDF RJT BS4825 ASME BPE 3A DIN11864 DIN11853
- Connection method: Thread, clamp, welding, flange
- Drive mode: pneumatic
- Finish: Ra≤0.6 μm; MP=Ra≤0.3 μm; EP=Ra≤0.3 μm
- Certification: FDA 177.2600; 3A-85-03; Glass II USP Glass VI Chapter 88; GB4806.11; EG VO/1935-2004; PED/97/23/EC.

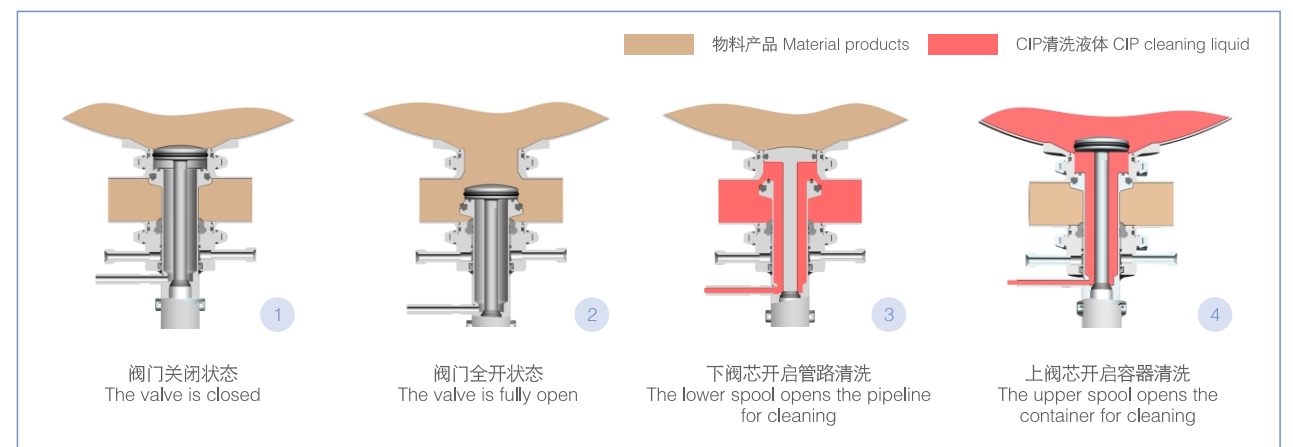


配置各种控制器或位置传感器
Configure various controllers or position sensors

有关控制器或传感器请查阅相关章节或目录册
For controllers or sensors, please refer to relevant chapters or catalogs

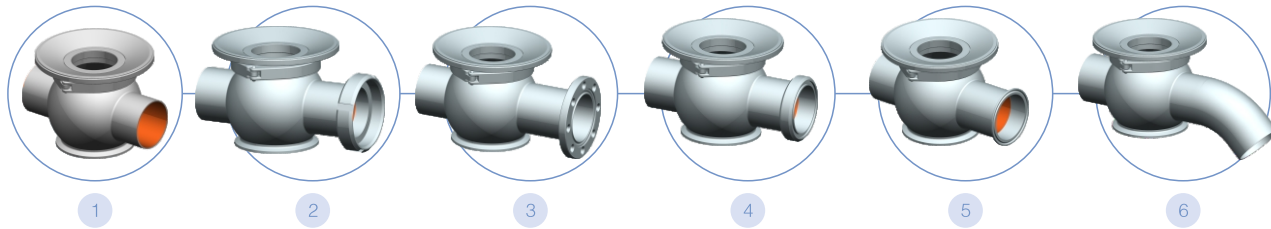


工作原理图 Working principle diagram

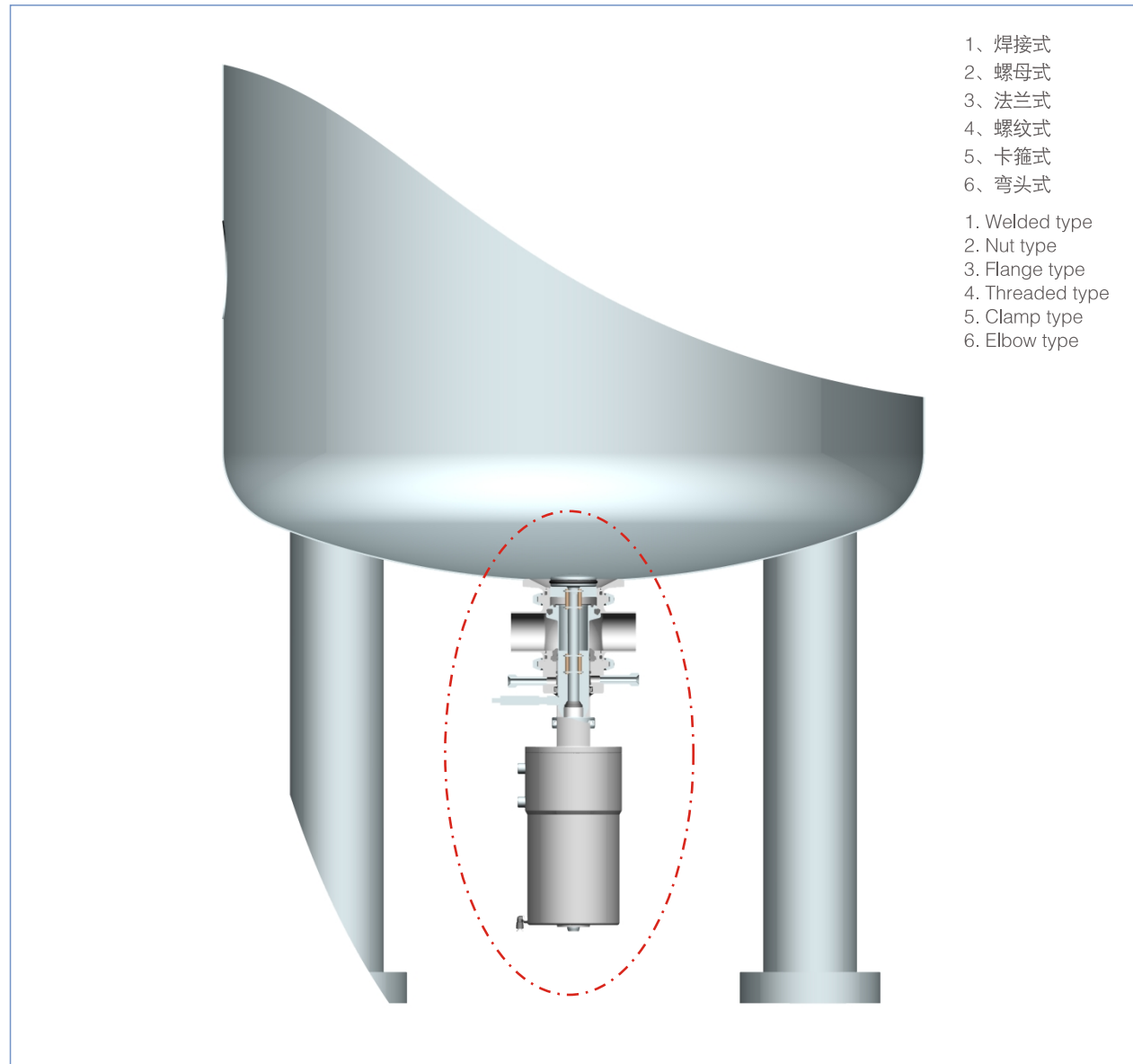


防混阀 Mixproof valve

不同连接方式 Different Connection Methods



罐底安装示意图 Schematic diagram of tank bottom installation



- 1、焊接式
 - 2、螺母式
 - 3、法兰式
 - 4、螺纹式
 - 5、卡箍式
 - 6、弯头式
- 1. Welded type
 - 2. Nut type
 - 3. Flange type
 - 4. Threaded type
 - 5. Clamp type
 - 6. Elbow type

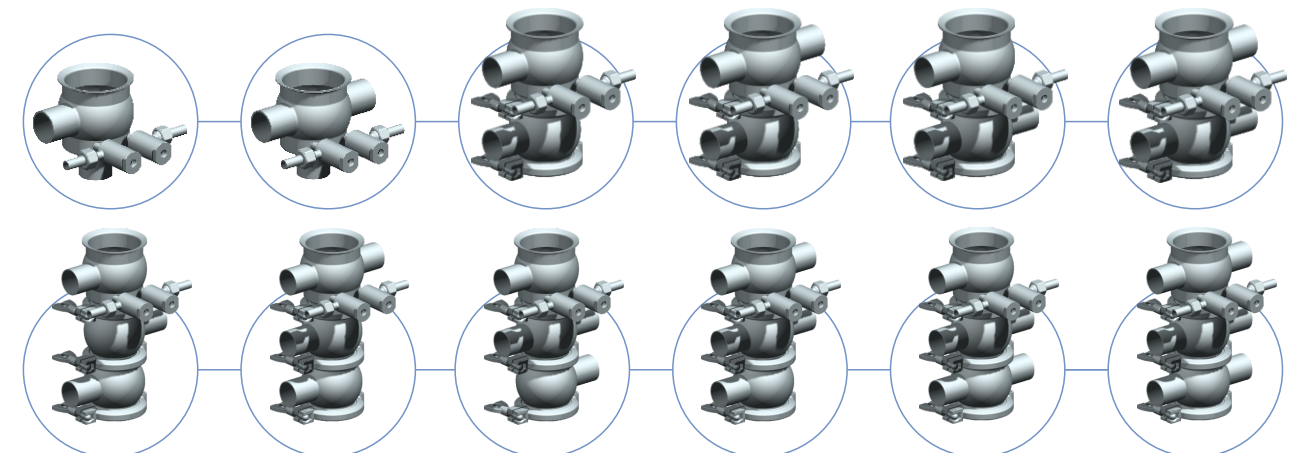
FHF-EC type

EC-系列是一款利用外部引入式CIP、SIP清洗和杀菌的防混阀，它具有双层密封保护、泄漏可发现、可排泄，防止物料给污染的风险。且有非常灵活的阀体组合应用。

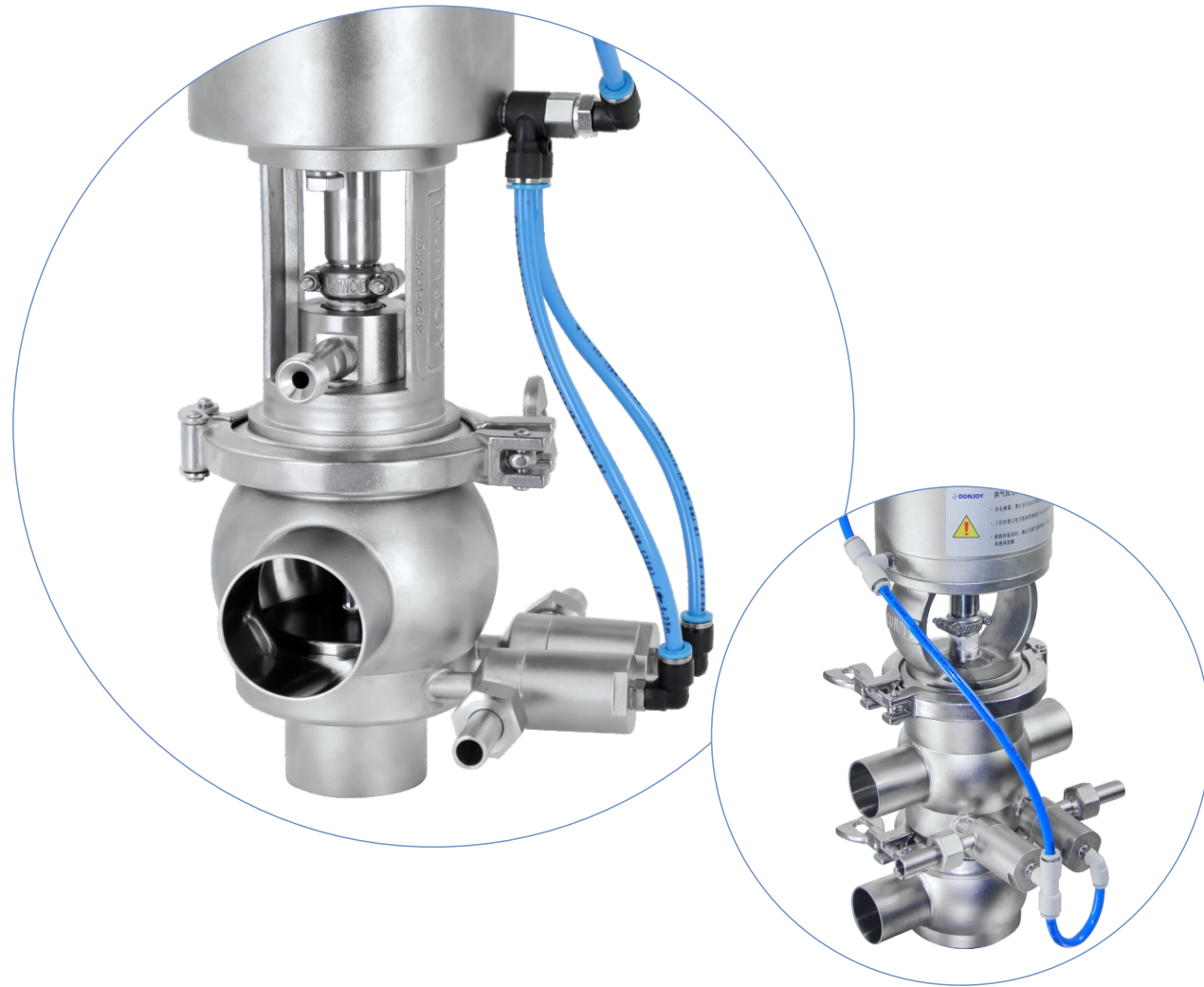
The EC-series is a mixed-proof valve that uses externally introduced CIP and SIP cleaning and sterilization. It has double-layer sealing protection, leakage can be found, and drained to prevent the risk of material contamination. And there is a very flexible valve body combination application.



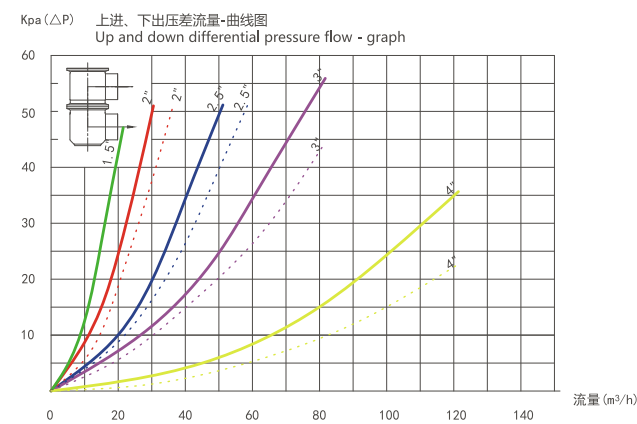
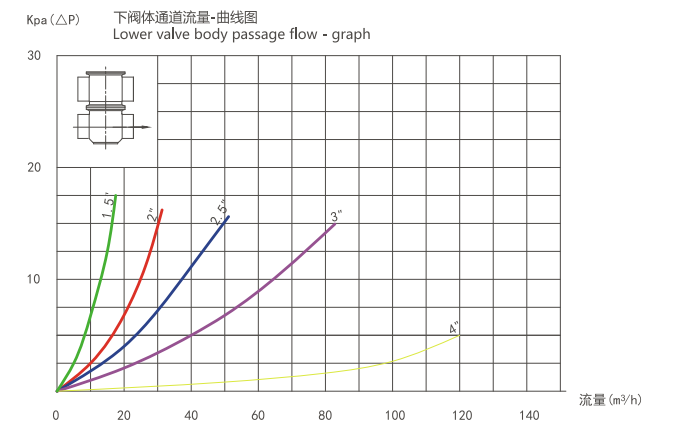
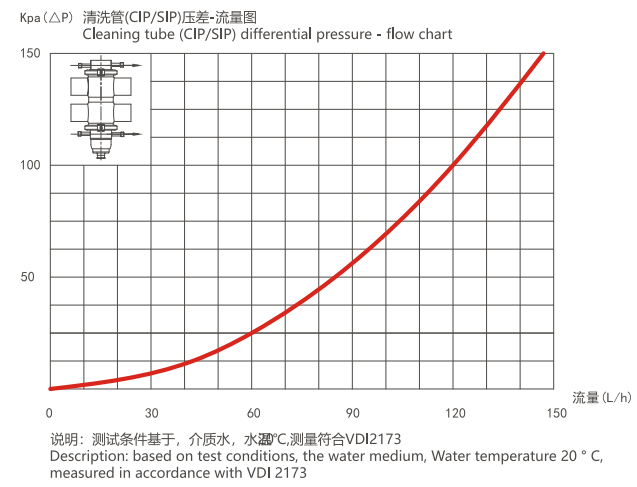
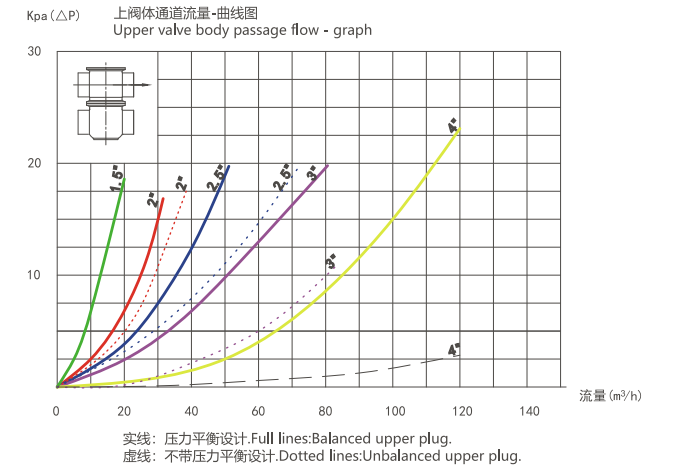
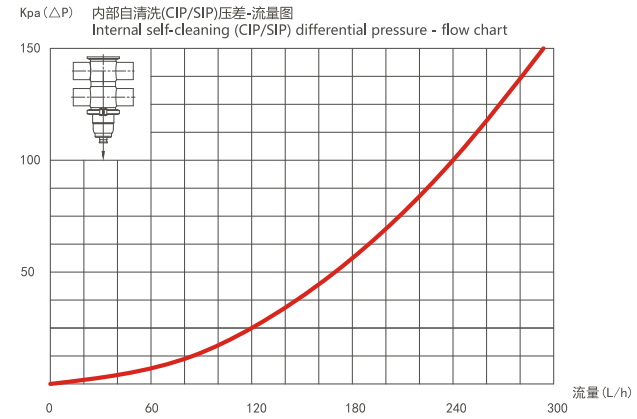
非常灵活的阀体组合和连接方式 Very Flexible Valve Body Combination And Connection Method



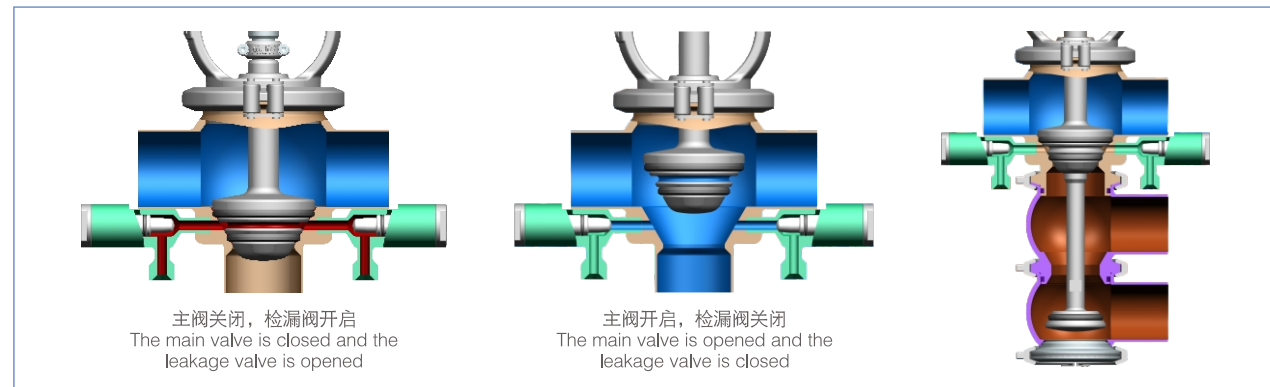
防混阀 Mixproof valve



防混阀压差-流量图 Mixproof pressure valve- Flow FIG.

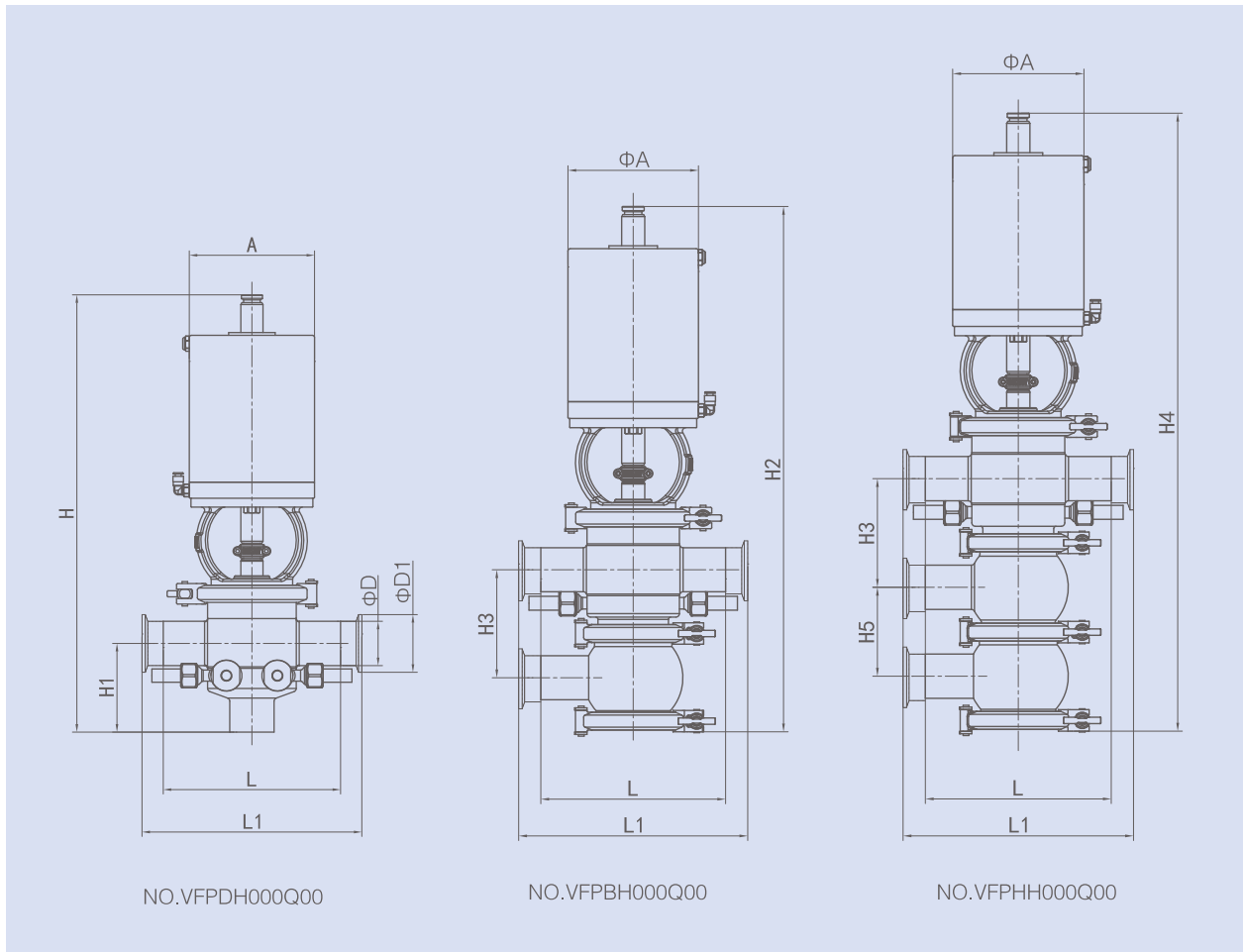


工作原理图 Working principle diagram



防混阀 Mixproof valve

喷射式防混阀数据图



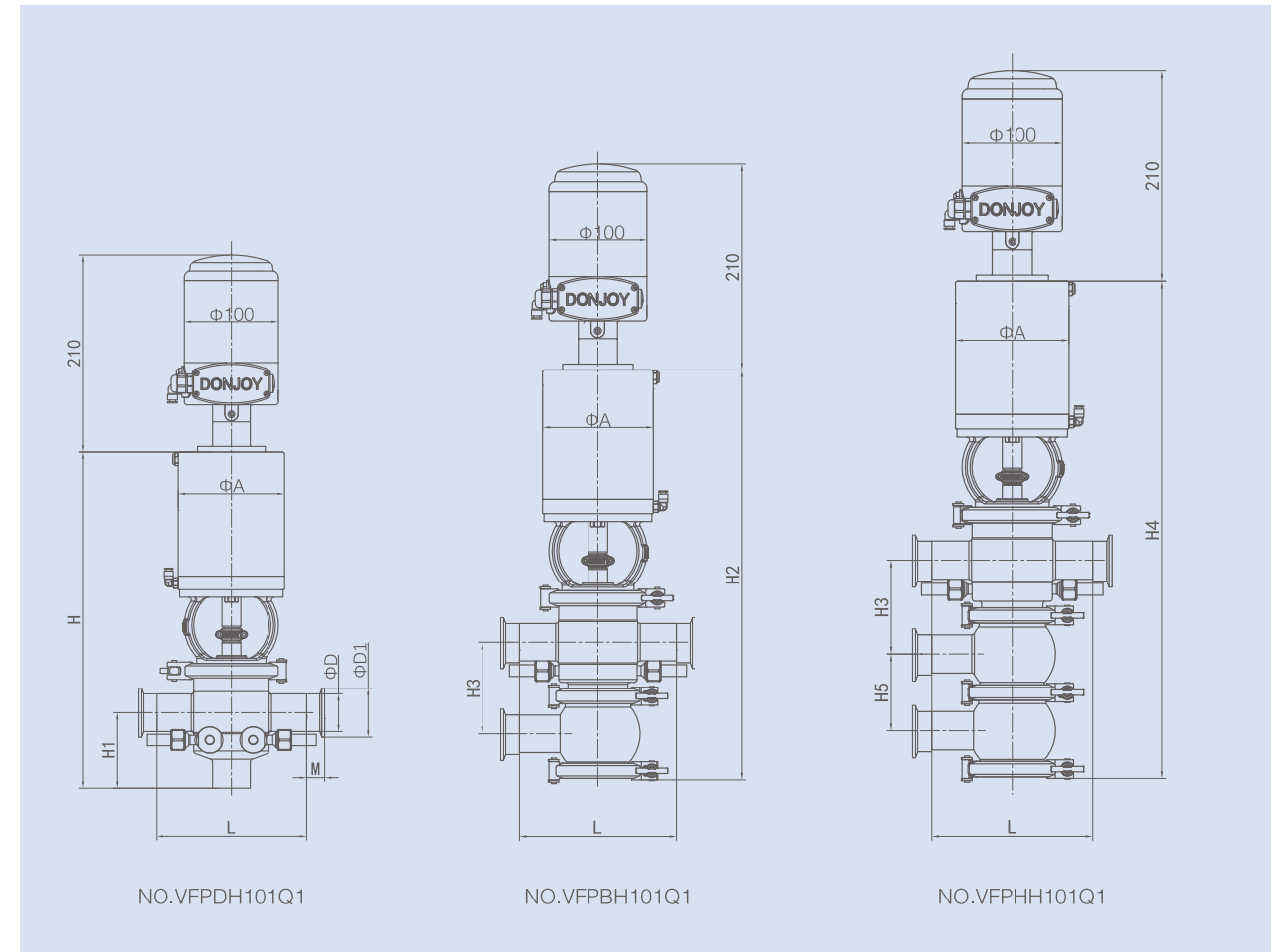
喷射式防混阀(INCH)

规格	D	D1	A	H	H1	H2	H3	H4	H5	L	M
1.5"	38.1	50.5	113	394.5	80	454.5	93.5	532	76.5	160	12.7
2"	50.8	64	113	388.5	80	457	102	534	76.5	160	12.7
2.5"	63.5	77.5	133	412	99	476.5	109.5	564.5	88.5	198	12.7
3"	76.2	91	133	416	99	504	127	608.5	105.5	198	12.7
4"	101.6	119	180	502	114	635	163.5	781	146	254	15.8

喷射式防混阀(DN)

规格	D	D1	A	H	H1	H2	H3	H4	H5	L	M
DN40	40	50.5	113	394.5	80	454.5	93.5	532	76.5	160	21.5
DN50	52	64	113	388.5	80	457	102	534	76.5	160	21.5
DN65	70	91	133	416	99	504	127	608.5	105.5	198	28
DN100	104	119	180	502	114	635	163.5	781	146	254	28

喷射式防混阀+IL TOP C1831数据图



喷射式防混阀(INCH)

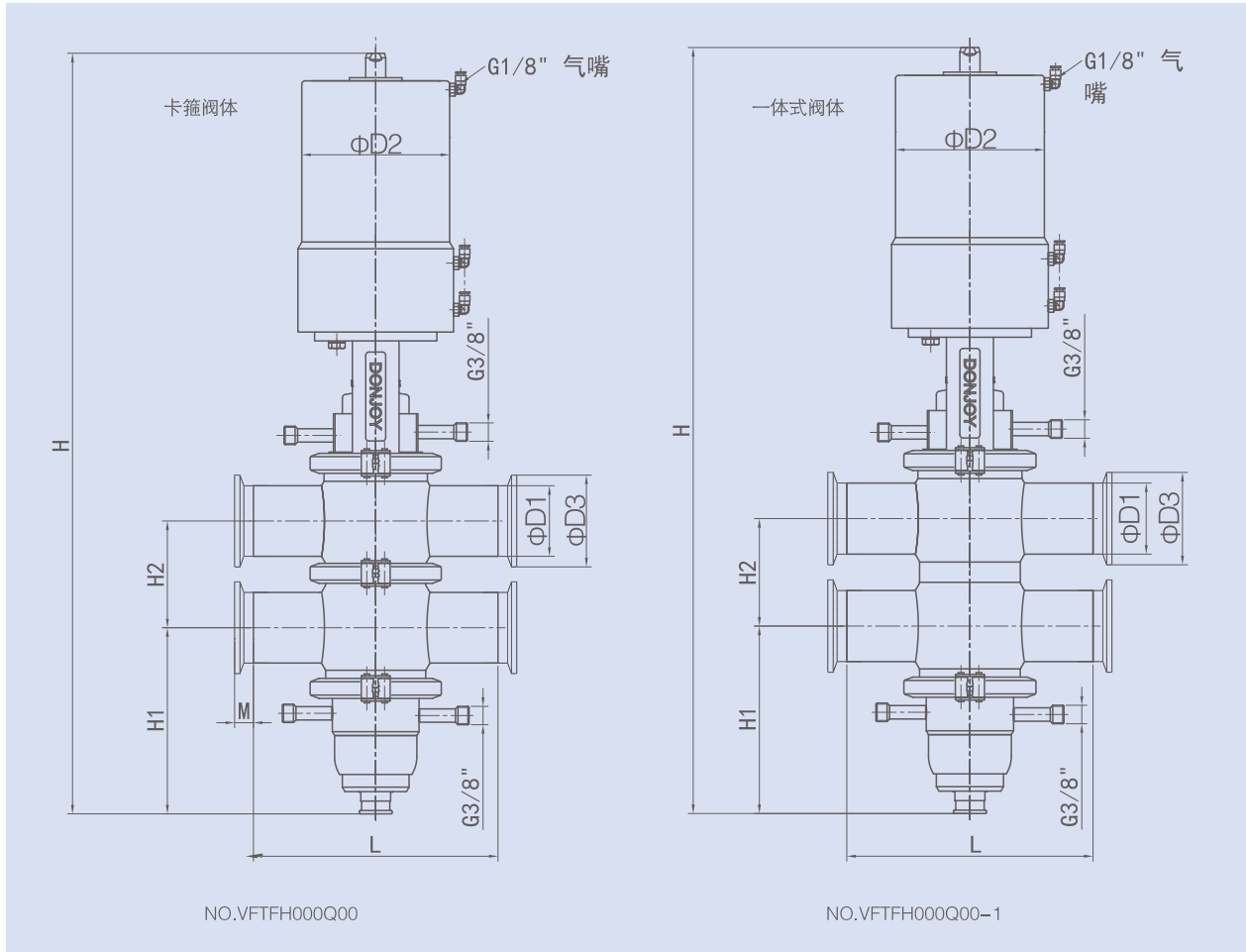
规格	D	D1	A	H	H1	H2	H3	H4	H5	L	M
1.5"	38.1	50.5	113	358	80	418	93.5	495	76.5	160	12.7
2"	50.8	64	113	358	80	427	102	504	76.5	160	12.7
2.5"	63.5	77.5	133	387	99	452	109.5	540	88.5	198	12.7
3"	76.2	91	133	389	99	477	127	582	105.5	198	12.7
4"	101.6	119	180	472	114	605	163.5	751	146	254	15.8

喷射式防混阀(DN)

规格	D	D1	A	H	H1	H2	H3	H4	H5	L	M
DN40	40	50.5	113	394.5	80	454.5	93.5	532	76.5	160	21.5
DN50	52	64	113	388.5	80	457	102	534	76.5	160	21.5
DN65	70	91	133	416	99	504	127	608.5	105.5	198	28
DN100	104	119	180	502	114	635	163.5	781	146	254	28

防混阀 Mixproof valve

提升式防混阀数据图



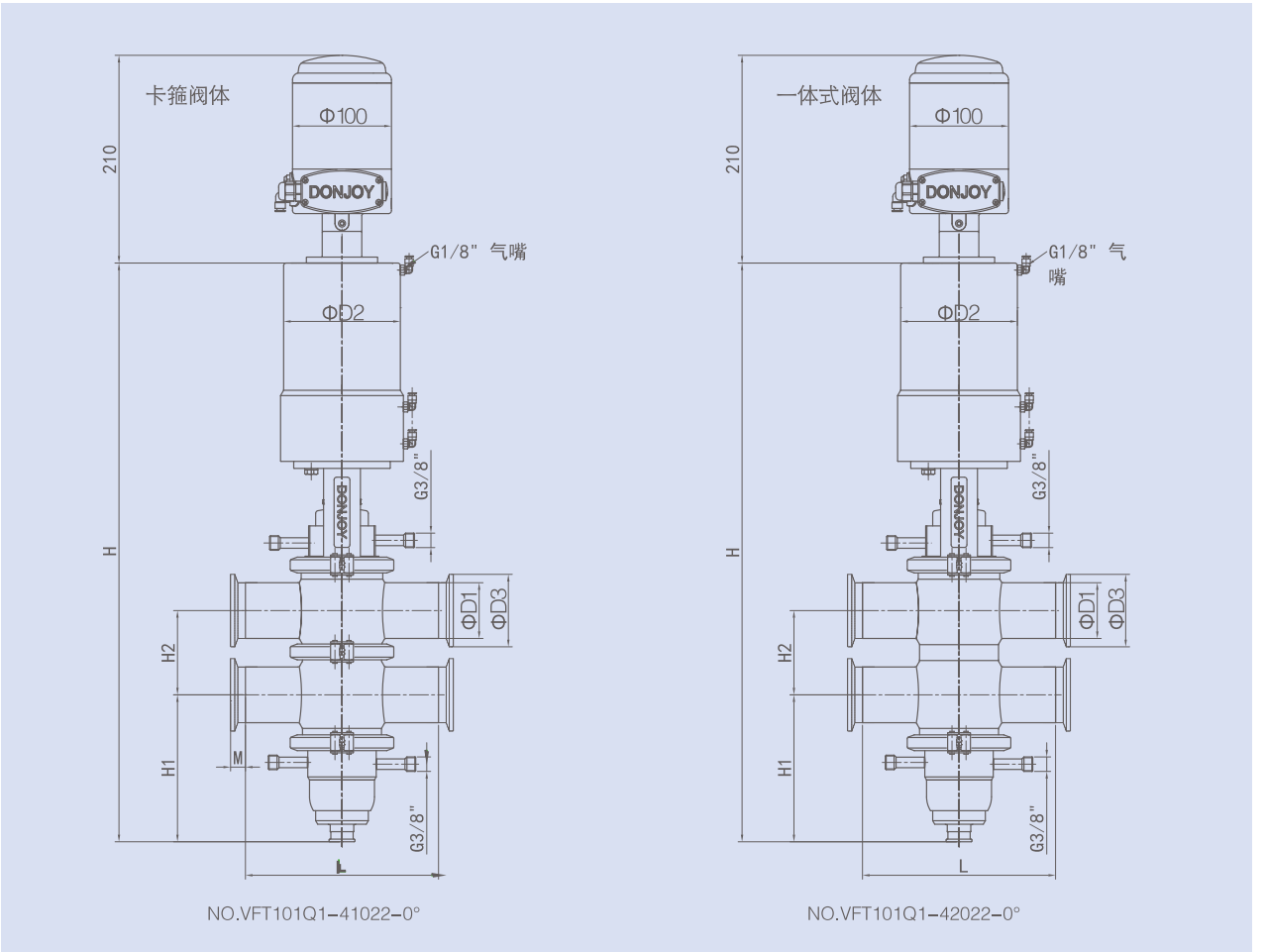
提升式防混阀(INCH)

规格	D1	D2	D3	H1	H2	H	L	M
1.5"	38.1	118	50.5	133.5	70	589	160	12.7
2"	50.8	118	64	144.5	79	610	160	12.7
2.5"	63.5	133	77.5	162	96.5	685.5	220	12.7
3"	76.2	133	91	173	110	718	220	12.7
4"	101.6	168	119	204.5	138	823	254	15.8

提升式防混阀(DN)

规格	D1	D2	D3	H1	H2	H	L	M
DN40	40/41	118	50.5	133.5	70	589	160	21.5
DN50	52/53	118	64	144.5	79	610	160	21.5
DN65	70	133	91	166	99	689.5	220	28
DN80	85	133	106	174	114	723	220	28
DN100	104	168	119	204.5	138	823	254	28

提升式防混阀+IL TOP C1831数据图



提升式防混阀(INCH)

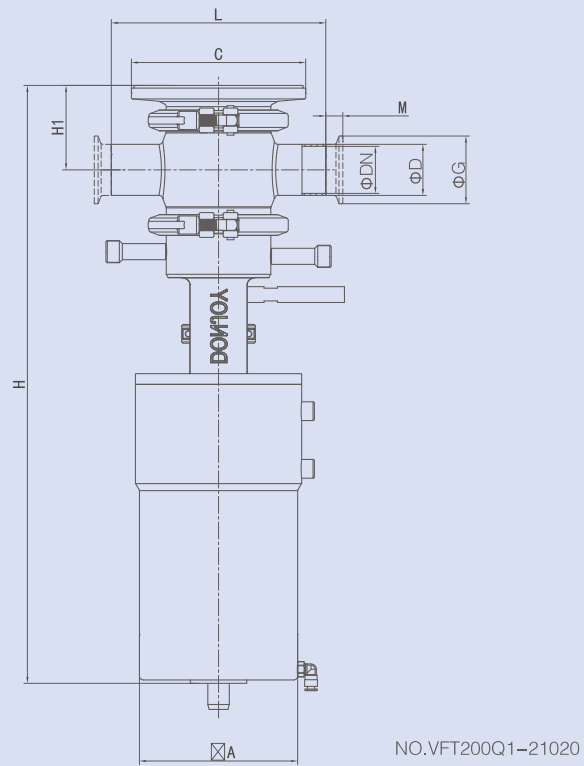
规格	D1	D2	D3	H1	H2	H	L	M
1.5"	38.1	118	50.5	133.5	70	567	160	12.7
2"	50.8	118	64	144.5	79	588	160	12.7
2.5"	63.5	133	77.5	162	96.5	662.5	220	12.7
3"	76.2	133	91	173	110	694	220	12.7
4"	101.6	168	119	204.5	138	798	254	15.8

提升式防混阀(DN)

规格	D1	D2	D3	H1	H2	H	L	M
DN40	40/41	118	50.5	133.5	70	567	160	21.5
DN50	52/53	118	64	144.5	79	588	160	21.5
DN65	70	133	91	166	99	666.5	220	28
DN80	85	133	106	174	114	699	220	28
DN100	104	168	119	204.5	138	798	254	28

防混阀 Mixproof valve

防混罐底阀数据图



防混罐底阀(INCH)

规格	D	DN	G	C	L	H	H1	A	M
1.5"	38.1	35.1	50.5	130	160	446	63	118	12.7
2"	50.8	47.8	64	130	160	446	68	118	12.7
2.5"	63.5	59.5	77.5	150	220	499	79	133	12.7
3"	76.2	72.2	91	150	220	517	88	133	12.7
4"	101.6	97.6	119	195	254	579	100	168	15.8

防混罐底阀(DN)

规格	D	DN	G	C	L	H	H1	A	M
DN40	40	37	50.5	130	160	446	63	118	21.5
DN50	52	49	64	130	160	446	68	118	21.5
DN65	70	66	77.5	150	220	481	73	133	28
DN80	85	81	91	150	220	505	83	168	28
DN100	104	100	119	195	254	579	100	168	28